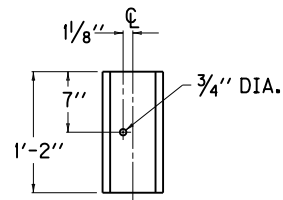
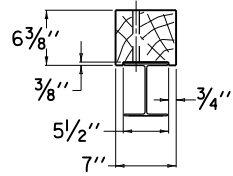


SIDE VIEW FRONT VIEW SECTION A-A

~ W6 X 9.0 STEEL GUARDRAIL POST ~
(USED WITH C6 X 8.2 RUB RAIL)



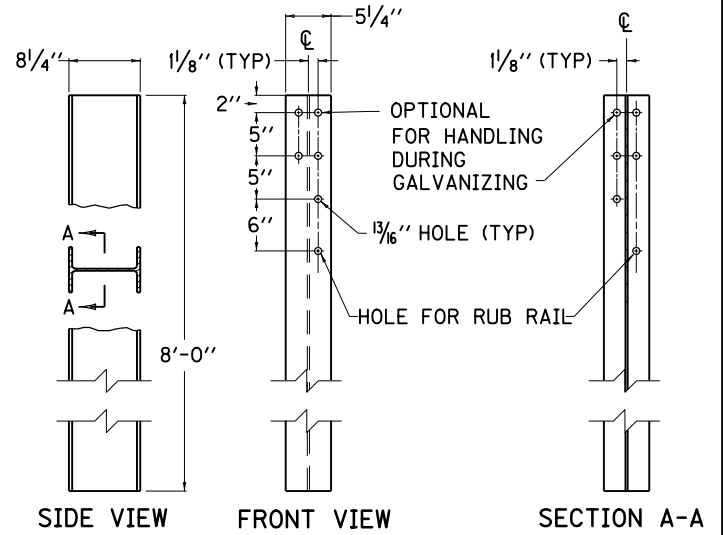
REAR ELEVATION



PLAN VIEW

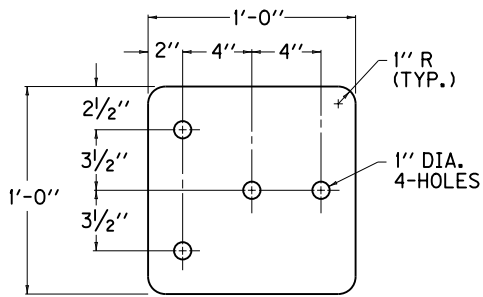
OFFSET BLOCK TYPE 6
(TIMBER)

(FOR USE WITH W8 X 21 STEEL POST ONLY)

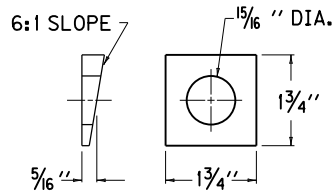


SIDE VIEW FRONT VIEW SECTION A-A

~ W8 X 21 STEEL GUARDRAIL POST ~



5/8" STEEL PLATE "A"



BEVELED WASHER

SHEET 3 OF 3

KENTUCKY
DEPARTMENT OF HIGHWAYS
GUARDRAIL CONNECTOR
TO BRIDGE END
TYPE A AND A-1
COMPONENTS

STANDARD DRAWING NO. RBC-003-07

SUBMITTED:	<i>David Kott</i>	11-21-07
DIRECTOR DIVISION OF DESIGN		DATE
APPROVED:	<i>Matthew M. Matthews</i>	11-21-07
STATE HIGHWAY ENGINEER		DATE